



WM8-BADEP3G-26-NJ

High gain

Mast mount or wall mount

Low PIM & SAR tested to EN50385:2002

Integrate wireless services into one antenna



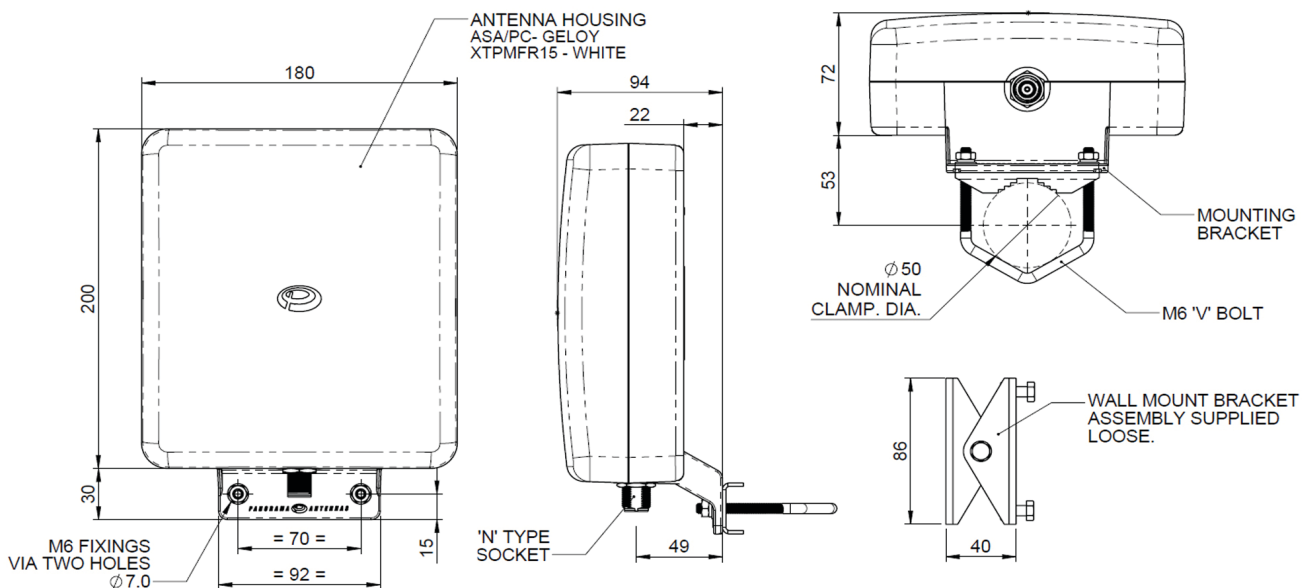
A versatile high gain directional antenna for in building applications, Panorama's WM8 range allows businesses and facilities to support multi-service/multi-operator wireless coverage. The WM8-BADEP3G-26-NJ supports 2G, 3G, 3G+ and 4G technologies including LTE, AMPS, PCS, GSM, UMTS & AWS with lower gain coverage of WIFI 2.4GHz and LTE 2.6GHz.

The WM8 range is housed in impact resistant, UV light stabilised plastic. The features a heavy duty N female connector making the product ideal for indoor and outdoor deployment, for inbuilding coverage or network infill applications.



This product features Panorama Antennas' PIM Guard Technology and will meet or exceed a third order intermodulation level of < -140dBc.

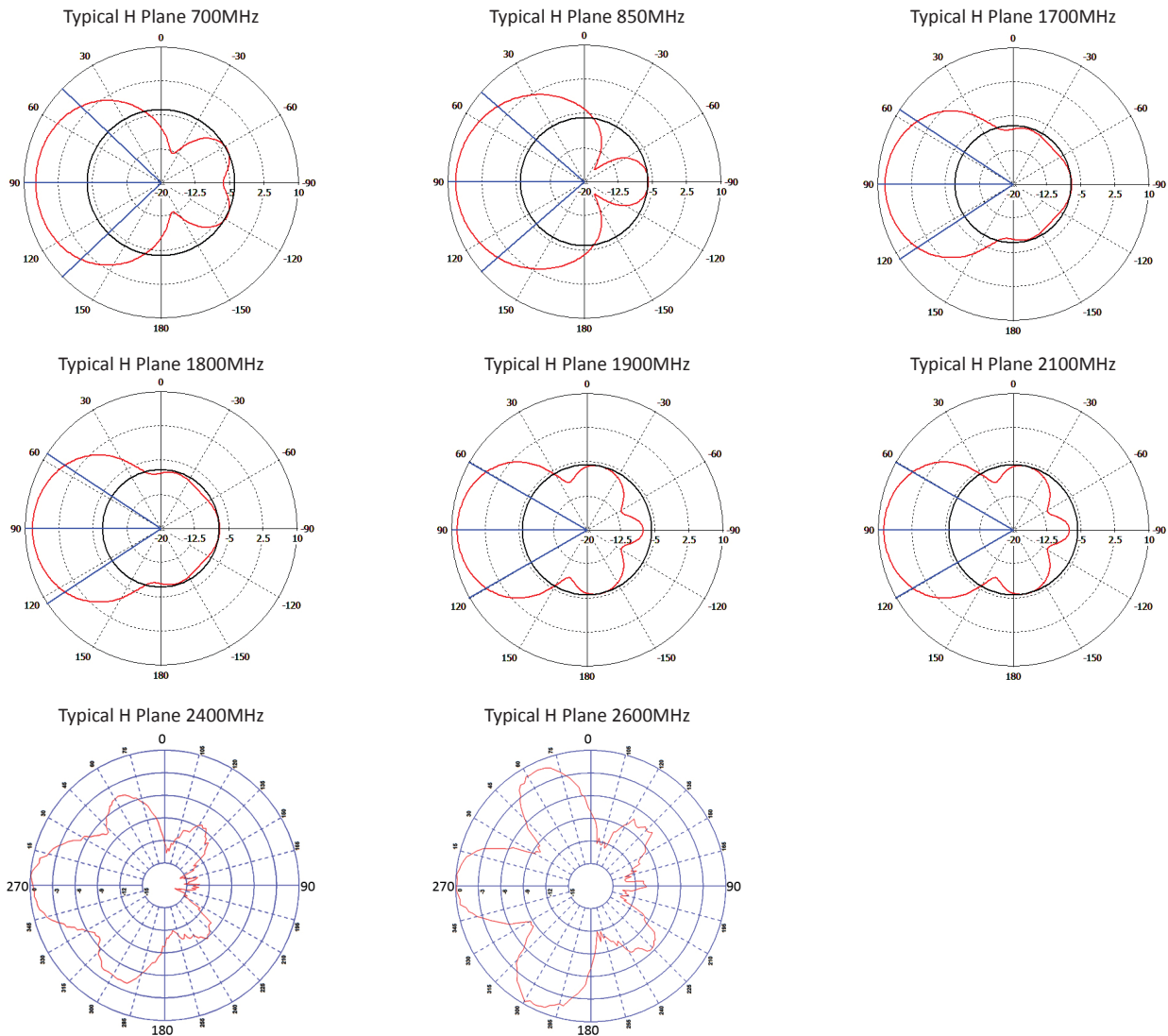
Technical Drawing



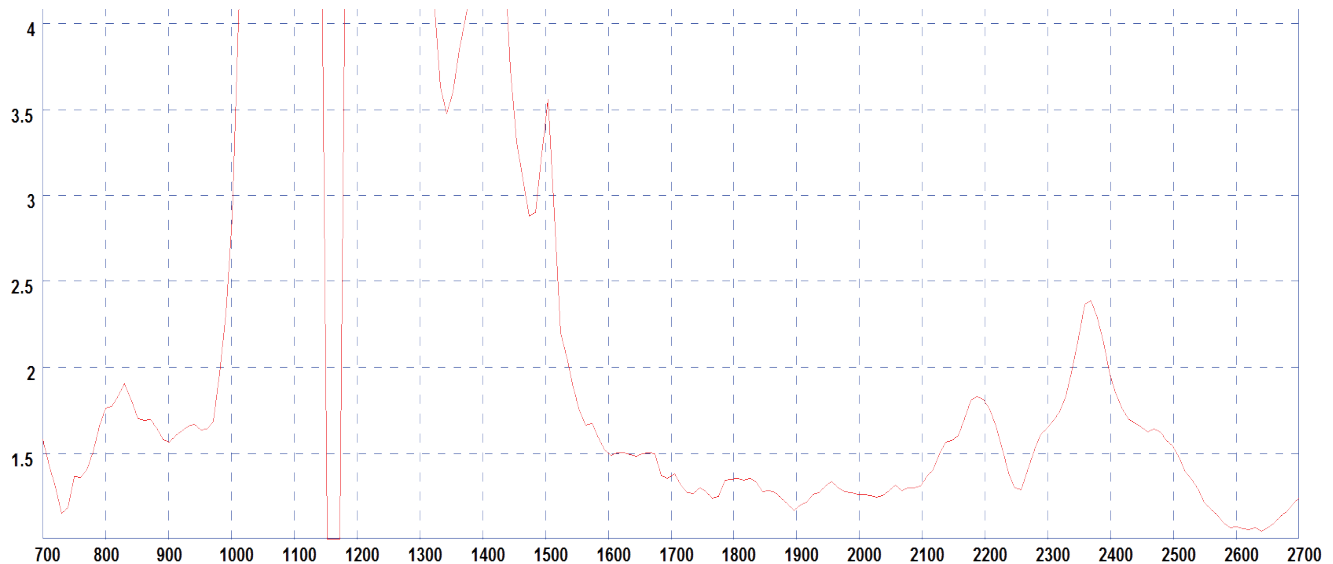
In Building Antennas

Low PIM Directional Antenna

Polar radiation plots



Typical VSWR



*Measurements taken looking directly into N connector on antenna housing.

In Building

Low PIM Directional Antenna

Part No.		WM8-BADEP3G-26-NJ
Electrical Data		
Frequency Range (MHz)	698-960, 1710-2700	
Operational Band	LTE700, AMPS 850, CDMA 800, GSM1800, PCS1900, 3G UMTS, AWS, WIFI, LTE 2.6	
Peak Gain: Isotropic	LTE 700MHz, AMPS800 & GSM900	6.5dBi
	GSM1800, PCS1900, 3G UMTS / AWS 2100	9dBi
	WIFI 2400, LTE 2600	6dBi
VSWR	<2:1	
Polarisation	Vertical	
Pattern	Directional	
Typical Passive intermod. (2x20W, 3rd ord.) dBc*	-140	
SAR and 'Touch Safe' Test Data	According to 50385:2002 (Bands: 850, 900, 1800, 2100, 2600MHz)	
Impedance	50Ω	
Max Input Power (W)	50	
Mechanical Data		
Dimensions (mm)	Height	230mm (9.05")
	Width	180mm (7.08")
	Length	94mm (3.7")
Operating Temp (°C)	-30° / +70°C (-22° /158°F)	
Material	ASA	
Colour	White	
Connector Data		
Type	N Socket	
Mounting Data		
Fixing	Pole Mount / Wall Mount	
Pole Diameter	20-50 mm (0.8 - 1.96")	

*Range PIM performance verified under controlled conditions by Anritsu PIM Master test equipment.

Panorama Antennas Ltd
Frogmore, London, SW18 1HF, United Kingdom

T: +44 (0)20 8877 4444
F: +44 (0)20 8877 4477

E: sales@panorama-antennas.com
www.panorama-antennas.com

Waiver: The data given above is indicative of the performance of the product/s under particular conditions and does not imply a guarantee of performance or a warranty of fitness for any particular purpose. These specifications are subject to change without notice.

Copyright © Panorama Antennas Ltd. All rights reserved.