

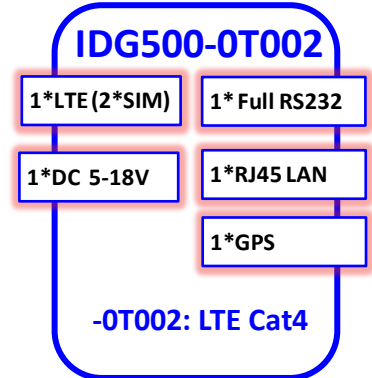


4G WAN Extender IDG500-0T002

Functions:

- Expanding LTE based WAN connection for various IP networks at instant, including enterprise, industry, surveillance, WiFi hotspot network.
- To be primarily WAN for IP network enhances connection. There are dual SIMs for single LTE to achieve ISP fail-over when primarily fail.
- Compact and easy to be integrated into solution. GPS enables location tracking.
- Capable of rich VPN tunnel technology can build VPN tunnel between IP network/network device with remote center or allow clients to connect in for secure data transmission.
- Cellular toolkit simplifies setting and utilizes ISP service. Data usage monitoring for budget control. Self-defined SMS commands for easy and quick management.
- Both IPv4/IPv6 protocol stack meet ISP requirement. Gateway base on IP pass through or DHCP based NAT with Port Forwarding. Rich Routing function covers static, dynamic and OSPF compatible with most IP network.
- Web-UI for basic setting. CLI and Command Script for advance setting. TR-069 used with AMIT-NMS for multi-site management. SNMP used for popular network tools management. SDK used for application expansion development.

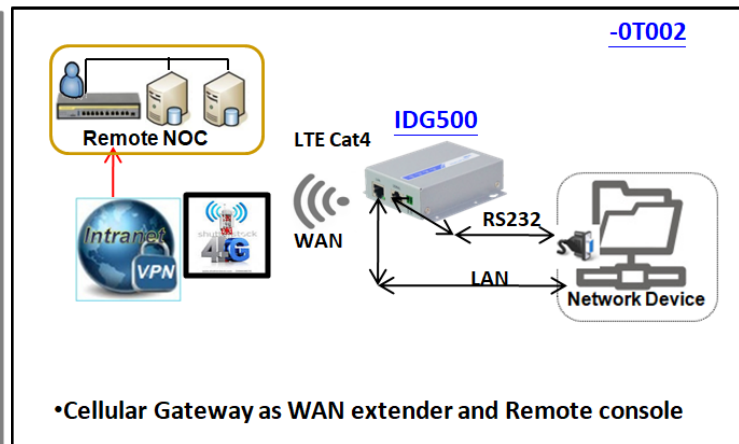
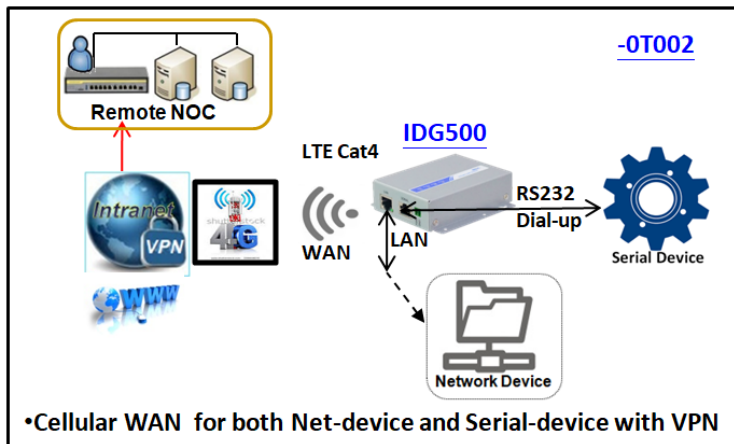
Block Diagram:



Application:

- SMB data center network backup
- Remote branch network
- Surveillance network

Connection Diagram:



Specification Summary

Device Interface

- **LTE Module:** 1*LTE-Cat.4, 2*SIM
- **Ethernet:** 1*RJ45 FE
- **Field Bus:** 1*RS232 (TX/RX)
- **Power Input:** 1* DC 5V ~ 18V (DC Jack)
- **Antenna Con.:** 2*SMA (F)-LTE, 1*SMA(F)GNSS

WAN & Uplink

- **WAN:** Cellular
- **Cellular:** 2G/3G/LTE, IP Pass-through, IPv4/v6
- **Network Monitor:** ICMP/DNS Query

Protocol

- **LAN & VLAN:** DHCP Server/Relay, Tag based VLAN
- **IPv6*:** Dual Stack, Static IPv6, DHCPv6,
- **Port Forward:** Virtual Server, Virtual Computer, DMZ, VPN Pass-through
- **Routing:** Static, Dynamic - RIP1/RIP2

Field Com

- **Virtual COM:** RFC2217, TCP Client, TCP Server, UDP

Object

- **Scheduling:** Time Schedule List
- **Grouping:** Host Grouping List
- **Ext. Server:** Email, Syslog, RADIUS, SCEP, FTP, DDNS, IGMP
- **Certificate:** My Certificate, Trusted Certificate, Issue Certificate

Security

- **VPN Tunneling:** IPSec, OpenVPN, PPTP, L2TP, GRE
- **Scenario:** Site/Host to Site/Host
- **VPN Capability:** IPSec: up to 3 tunnels
- **Firewall:** SPI Firewall with Stealth Mode, IPS
- **Access Control:** Packet Filter, URL Blocking, MAC Filter

Administration

- **Config & Mgmt.:** Web, Telnet & SSL, Command Script, SNMPv3 Std. & Proprietary MIB, TR069
- **System:** Upgrade, Backup & Restore, Reboot & Reset, SysLog

Service

- **Cellular Toolkit:** Data Usage, SMS, SIM PIN, USSD, Network Scan
- **Event Handling:** User Defined Manage/Notify Event; SMS, Mail, Syslog, SNMP Trap

Environment

- **OP/Store Temp.:** -30°C ~ 70°C; -40°C ~ 85°C
- **Humidity:** 10%~95% (non-condensing)
- **Enclosure:** Metal, Bracket
- **Dimension:** 93x90x27mm

Certificate - CE

- Standards & Regulation
- EMI: EN 55032: 2015 +AC: 2016 Class B, EN61000-3/-6
- EMS: EN 55024, IEC 61000, EN61000-6
- Radio: EN 301 489
- Safety: EN 60950-1, EN 62368-1

Package Accessory

- 1*Device
- 2*Cellular Antenna (3dBi)
- 1*Power Adapter DC 5V/2A
- 1* DC Jack to Terminal Block Adaptor
- 1*DIN Rail Kit
- 4*Rubber feet, 1*CD (User Manual)
- 1*RJ45 Cable
- 1*Serial Convert Cable

SKU Information:

IDG500-0T002-00-yy : LTE Cat.4

'yy': Area Variant. As below table

yy	SKU	Band	Module Certi.	System Cert.
E0	EU	B1/3/7/8/20	CE,GCF	CE
R0	Russia	B3/7/20	-	EAC
U0	US	B2/4	PTCRB, AT&T	TBD
J0	Japan	B1/3/8/18/19/26/41	Telec, NTT, KDDI, Softbank	Telec
T0	Taiwan	B3/7/8/28	NCC	TBD
C0	China	B3/8/39/40/41		TBD
A0	Australia	B1/3/5/7/28/40	RCM,	TBD

Comment

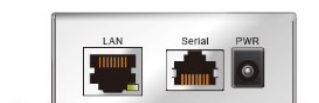
- Specifications are subject to change without prior notice..
- Besides CE, region Certification need to check for availability.

Mechanic Drawing

• Front View



• Back View



AMIT Wireless Inc.

TEL: +886 (0)6 505 8026 FAX: +886 (0)6 505 8068

Web: <http://www.amitwireless.com> Email: sales@amit.com.tw

No. 28, Lane 31, Huandong Rd., Sec. 1, Xinshi Dist., Tainan City 74146, Taiwan (R.O.C.)